

STOPPING PLUGS



Raxton's comprehensive range of Stopping Plugs are designed to close any unused entries in electrical equipment without revoking existing certification.

Following the basic rules in line with good engineering practice Raxton Stopping Plugs should be inserted directly into the unused entry and not into a thread Reducer or thread Adaptor.

Raxton Stopping Plugs are marked with the appropriate approval number and size. Tested to IP68.

RX Plug Type CB

RX Plugs are inserted with the Allen/hex key pointing away from the box and tightened from the outside.

Tamperproof Plug Type CF

Tamperproof Plugs are inserted from the outside with the Allen/hex key towards the enclosure and then tightened from the inside to leave a flush finish to prevent unauthorised removal.

Product Dimensions

Thread	RX & Tamperproof Allen Key Type CF & CB	Hex Head A/F (mm) Type CK & CY		
M16	6.0	19.0		
M20	10.0	23.3		
M25	10.0	28.0		
M32	10.0	37.5		
M40	10.0	47.0		
M50	10.0	56.0		
M63	10.0	70.0		
M75	10.0	80.0		

Hexagon Head Plug Type CK

Hexagon Headed Plugs are inserted from the outside and fastened by means of a spanner. (Across flats dimensions are listed below).

Hollow Hexagon Head Plug Type CY

A hollow version of the Hexagon Head Plug but still with Exd/Exe certification. Not suitable for mining applications.

Certification

Code of Protection Categories

ATEX: I M2 (not CY), Ex d IMb, Ex e I Mb, or II GD, Ex d IIC Gb, Ex e IIC Gb, Ex tb IIIC Db
 IECEx: Ex d I/IIC Mb/Gb, Ex e I/IIC Mb/Gb, Ex tb IIIC Db, (Group I not for CY)
 CSA: Ex d IIC Class 1, Zone 1, AEx d IIC Brass and Stainless only
 GOST: Exdel/IICU, ExdellCU, ExellU
 INMETRO: BR-Ex de 1/IIC Mb/Gb, BR-Ex tD A21 IP 66/67

Compliance Standards

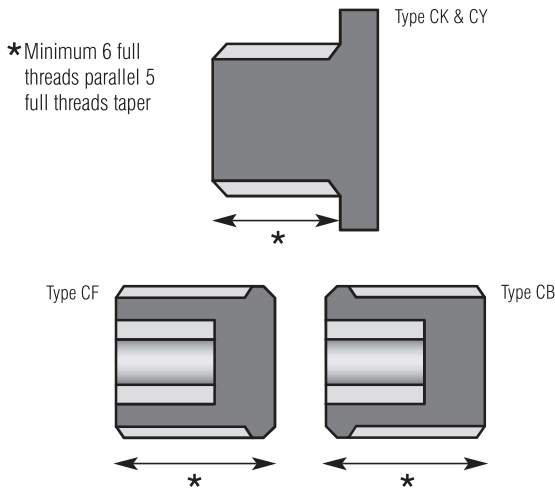
ATEX / INMETRO / GOST: EN 60079-0:2009, EN 60079-1: 2007, EN 60079-7: 2007, EN 60079-31:2008
 IECEx: IEC 60079-0:2004, IEC 60079-1:2003, IEC 60079-7:2006-07
 CSA: CAN/CSA-E79-0-95, CAN/CSA-E79-1-95, UL 2279 1997, IEC 60079-0:1998, IEC 60079-1:1998

Certificate Details

ATEX: Sira 10ATEX1224X
 IECEx: IECEx SIR 07.0009X
 CSA: CSA 200455-1003277
 GOST: POCC GB.ГБ06.В01060
 INMETRO: NCC 5871/09 U

TEMPERATURE

The item is classified as a component and is therefore not given a temperature rating.



Product Codes

DIGIT 1+2 Description (Stopper Plugs)	Code	DIGIT 3	Code	DIGIT 4 & 5 Male		DIGIT 6 & 7 Female		DIGIT 8		DIGIT 9		DIGIT 10		
		Material		Thread Reference		Approval		Special		Plating				
RX (External Access)	CB	BRASS	A	M16	11	1/2" NPT	42	ATEX Exde	A	None (standard)	X or blank	None	Blank	
TAMPERPROOF	CF	ALUMINIUM	B	M20	12	3/4" NPT	43	IECEx Exde	R	Customer Special	S	Nickel	N	
HEX HEAD	CK	MILD STEEL	C	M25	13	1" NPT	44	For other approvals please see product coding list on page 28				Zinc	Z	
HOLLOW HEX HEAD	CY	STAINLESS STEEL	E	M32	14	1 1/4" NPT	45						Chromatised	C
		GLASS FILLED NYLON	M	M40	15	1 1/2" NPT	46						Special	S
				M50	16	2" NPT	47							
				M63	17	2 1/2" NPT	48							
				M75	18	3" NPT	49							
				M90	81	3 1/2" NPT	86							
				M100	82	4" NPT	87	Industrial	X or Blank					

Other sizes / threads are available on request

PRODUCT CODING EXAMPLE	Hex Head	Brass	M25(M)	-	Exde	PART NUMBER
	CB	A	13	00	A	= CBA1300A